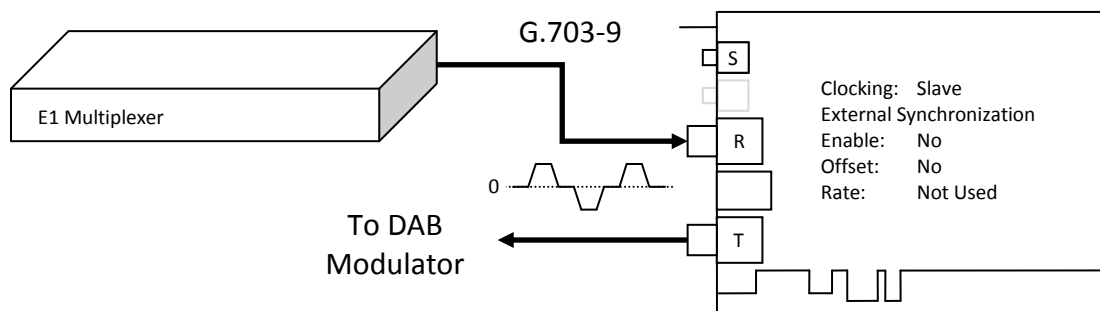
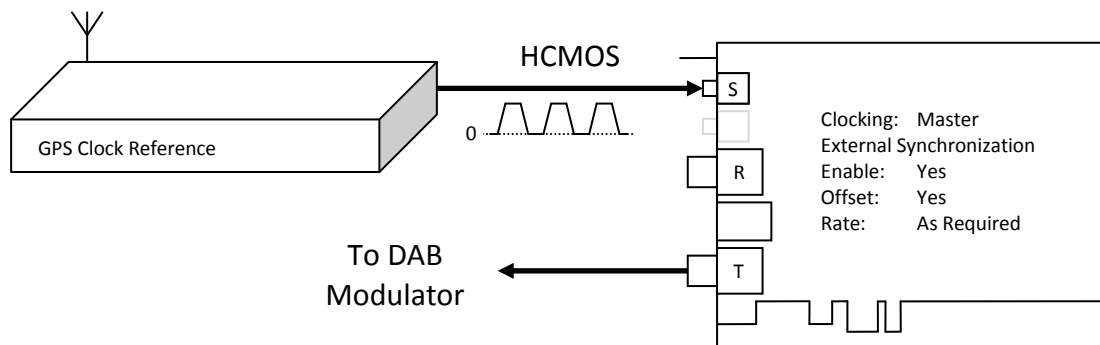
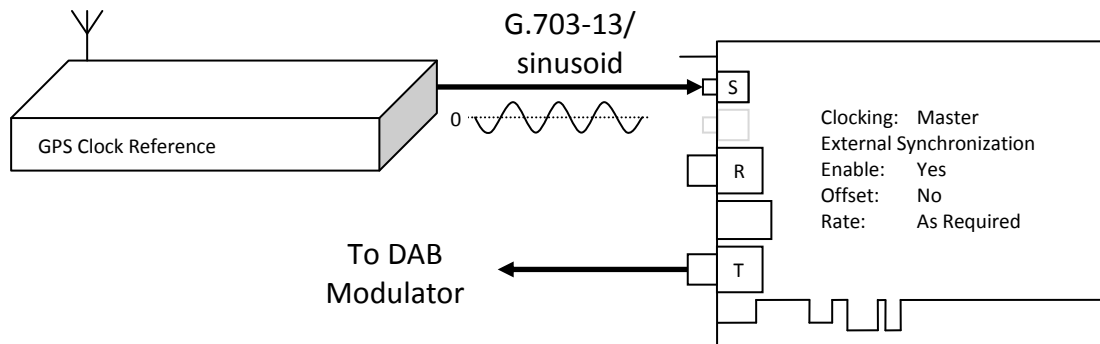


TE1e External Synchronization Clock Configuration for SFN's



External Synchronization Clock:
1.000, 1.544, 2.048, 5.000 or 10.000MHz